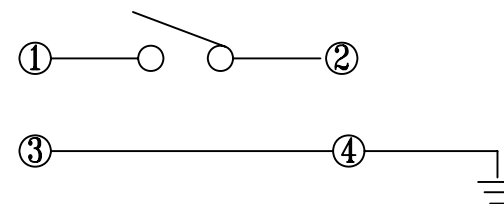
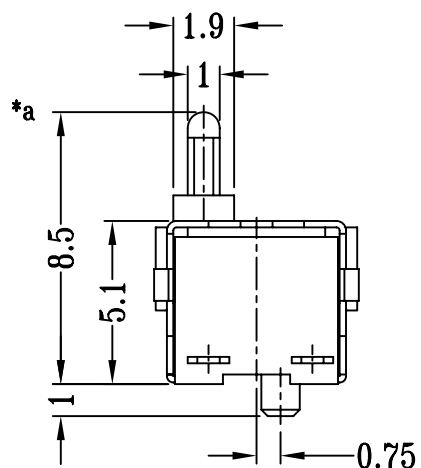


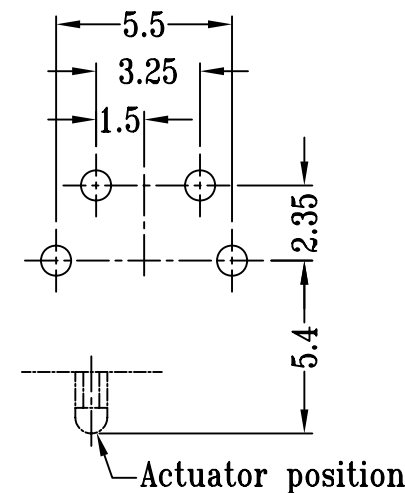
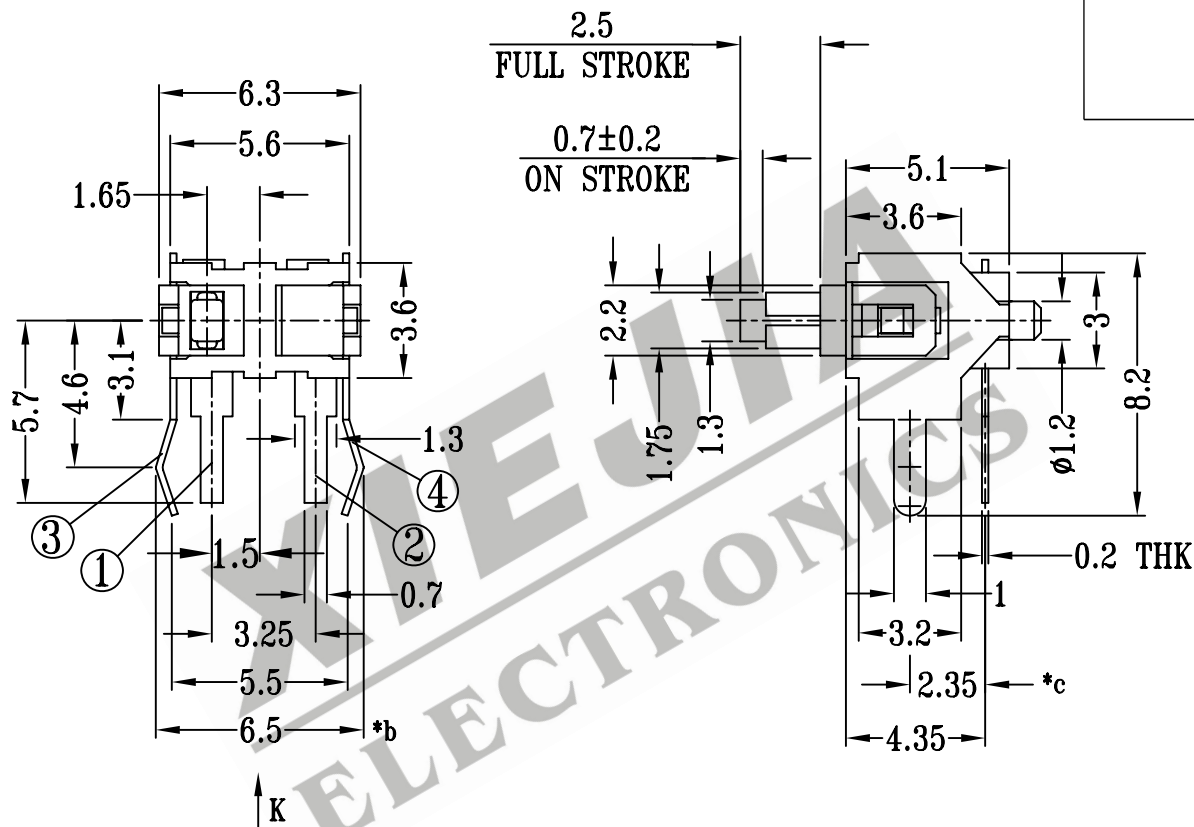
CAD FILE:



SCHMATIC



VIEW K



P.C.B LAYOUT

注:带“*”表示关键尺寸(3个)

8					TOLERANCE UNLESS SPECIFIED	SHENZHEN XIEJIA ELECTRONICS CO.,LTD.				
7										
6					WITHIN: 1.5±0.1mm OVER: 1.5±0.2mm	ISSUE	DATE	DESCRIPTIONS OF REVISION		APPD.
5	CONTACT	PBS	1	Ag CLAD						
4	CASE	PA46/BRASS STRIP	1	BLACK/Ag PLATED OVER Ni PLATED	TITLE : TACT SWITCH	UNIT : mm	DRWG NO.: XJ-DR-TCV033B-00			
3	FRAME	ZINC PLATE	1	WASHING			MODEL: TC-V033B	SCALE: 4:1	DWN.	ZHOUYU
2	COVER	NYLON+F.G	1	BLACK	ALL MATERIALS MUST BE COMPLIANT TO ROHS	APPD.			CHK'D	FANGYING
1	KNOB	POM	1	BLACK			APPD.	KANGXINAN	2004-3-19	
NO.	PARTS	MATERIALS	Q'TY	FINISH						